



BROTHERS
PHARMAMACH (INDIA) PVT. LTD.

STICKER (Self-Adhesive) LABELLING

LABELSTIK-Excel Automatic Front, Back and Top Application Sticker Labelling Machine

Automatic Linear Sticker Labelling Machine Model LABELSTIK-EXCEL, is one of the most user friendly. Machine can be supplied with Multiple Label Dispensing unit to apply, Front, Back and Top Labels on Square, Rectangular or any Special Shaped Container or Jars. The Machine incorporates latest sophisticated Micro Processor Control Label Dispensing system with user friendly Sensing system for Label and Product. The machine is suitable for Labelling on Bigger Size Container, Jars, Cartons, Shippers, Battery etc. With speed up to 60 units per minute depending on product size and label size.

The most versatile, elegantly designed linear labelling machine to meet the needs of major users of modern packaging lines, requiring high efficiency with speed, accuracy and durability. Easy to use adjustments, requiring a minimum tools or change of parts.

The Sticker Labelling Machine LABELSTIK-EXCEL has its own unique single point synchronised speed control system. The Inbuilt Automated Label Length detection systems eliminates any need for manually feeding and storing of Label Length data in memory and retrieving the same every time for change of Label Size & re-starting the machine. The System thus saves valuable time, avoiding machine-down time, and helps achieve higher production. Machines having required all basic features as a standard fitment to match the current market needs and also saves cost and time.



BUILT-IN UNIQUE FEATURES :

- No Label Data Input/retrievals require for any Label Size
 - Colour Touch Screen Operator Panel
 - No Change Parts for Label size
 - Single Pot On-line Speed Variation control
 - Synchronized speed of Label Dispensing, Conveyor and Pressing Device
 - Virtually Maintenance free machine
 - Easy to change label application height
 - User Friendly Label Placing Adjustments
 - Self Protected against Voltage Fluctuations
 - Suitable for On-Line InkJet and Contact Coding System
 - Suitable for Partial, Full Wrap Around and Overlap Labelling
 - Built In A.C. Variable Frequency Drive System.
 - Fully Stainless Steel finish Machine
 - Servo Drive Heavy Duty Label Dispenser
- * Refer Plug & Play Sticker Labelling UNIQUE FEATURES page for more details

TECHNICAL SPECIFICATIONS

Label Height : 8 mm to 70/90/120/150 mm Standard*

Label Length : 12 mm Minimum

Label Roll Dia. : 300/400 mm

Core Dia. : 75/76 mm

Gap Between two Labels : appx. 3 mm

Product Size : As per customers requirement* We require actual product samples

Electrical : 220 VAC Single Phase Power Supply (50/60 Hz)

Power : 2.5 Amp.

Capacity : 0.75 Kw

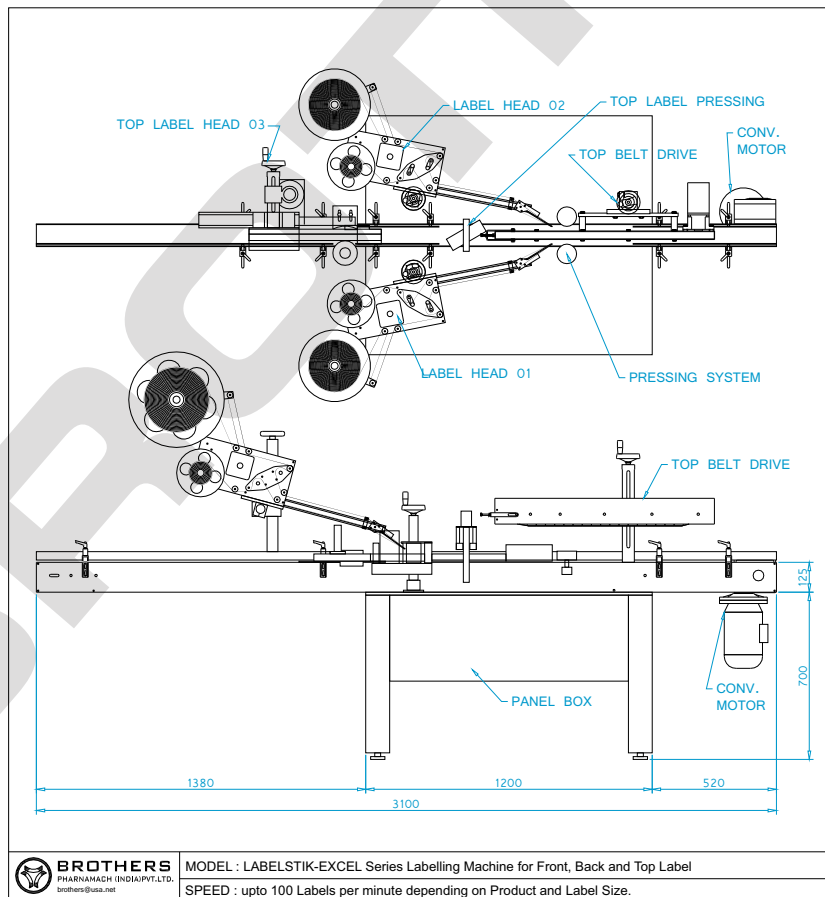
Speed : Up to 30, 60 or 120 Labels per minute depending on Product and Label Size*

Conveyor height : 830-875 mm*

Machine Direction of Movement : Left to Right from operator side

OPTIONAL FEATURES :

- Label Roll Empty - Machine Stop System with Alarm
- Missing Label in Roll - Machine Stop System with Alarm
- Special Label Sensor for sensing Transparent Film Labels which does not have any sensing mark on it.
- Option of Contact Coder, Hot Foil Coder, HP Cartridge Coder and Inkjet Coder with various speed range available.
- Tower Light showing the machine status / operation
- Special Sensing system for checking missing label on product
- Low Compressed Air - Machine Stop with Alarm system for pneumatically operated coding system
- Vision System for checking Barcode, presence or absence of Coding or Pharma code on labels
- Vision System with OCV / OCR system for checking coding on labels



BROTHERS PHARMAMACH (INDIA) PVT. LTD.

Plot No.2, Phase II, GIDC, Vatva, Ahmedabad 382445. INDIA

Phone : +91 79 40213213, 25831346, 29708139

Fax : +91 79 40213220, 25835885

+91 9825037971, 9825006052

Email : sales@brothers.in mevada@usa.net

Website : www.brothers.in

